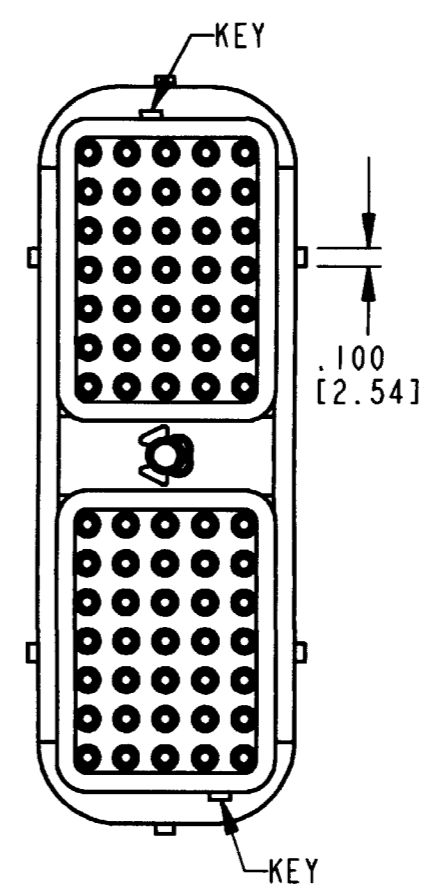
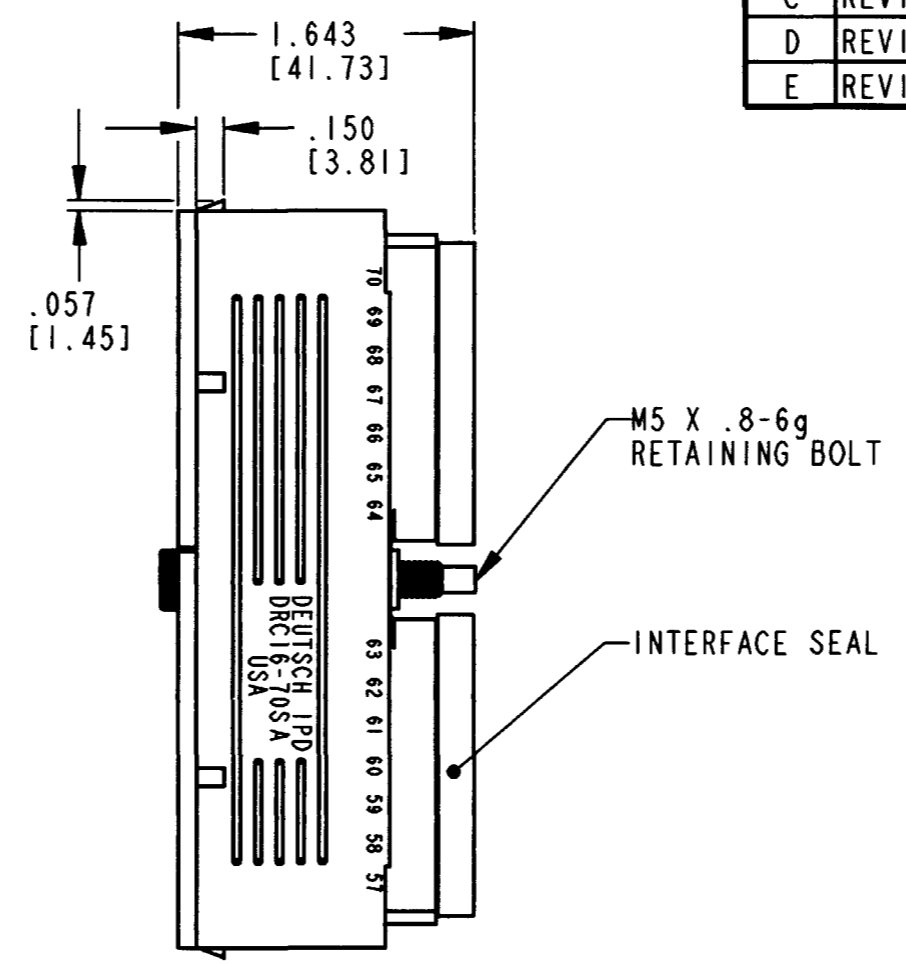
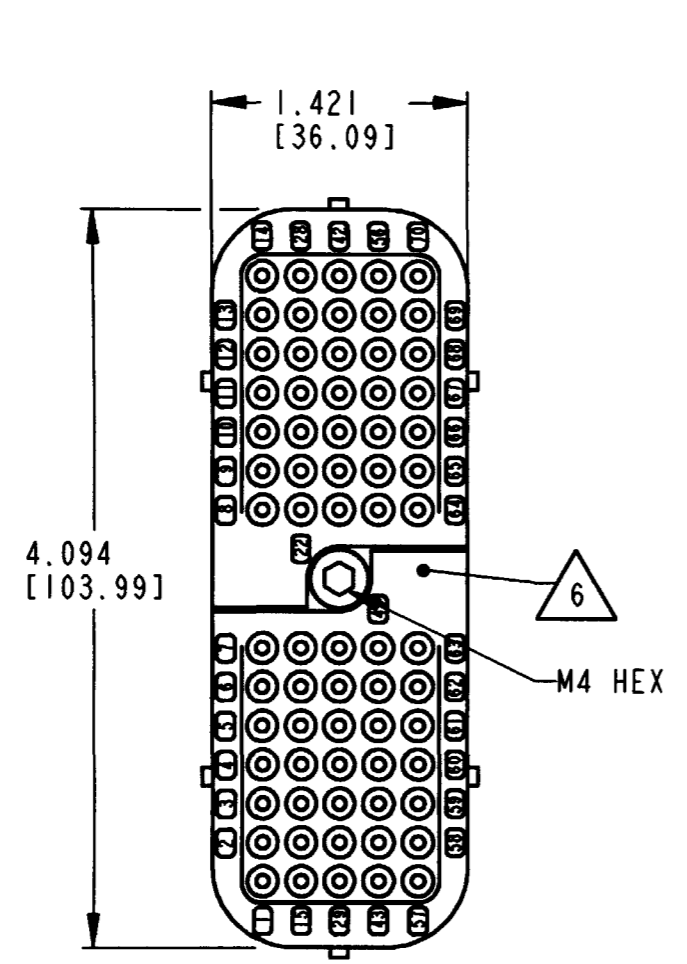


REV  
E  
DRC16-70SA \*

| REVISIONS |                         |          |          |
|-----------|-------------------------|----------|----------|
| SYM       | DESCRIPTION             | DATE     | APPROVED |
| B         | REVISED PER E.O. P15967 | 03/23/99 | RDR      |
| C         | REVISED PER E.O. P16064 | 04/20/99 | RDR      |
| D         | REVISED PER E.O. P16775 | 7-27-00  | RDR      |
| E         | REVISED PER E.O. P17732 | 4-15-02  | RDR      |



- 8. MATERIAL- PLUG: PLASTIC (BLACK); SEAL/GROMMET: RUBBER; BOLT/CLIP: STEEL.
  - 7. MATING TORQUE REQUIREMENT: 25-28 IN-LB [2.82-3.16 Nm].
  - △ 6. WHEN \*=E: BLUE STRIP IDENTIFIES "E" SEAL.
  - 5. THIS PLUG MATES WITH DRC12-70PA\*-\*\*\*\*; DRC13-70PA-\*\*\*\*; DRC14-70PA\*-\*\*\*\*. (\*\*\*\*= ALL MODIFICATIONS) CONSULT FACTORY FOR MODS.
  - △ 4. FOR CONTACT AND WIRE PERFORMANCE AND APPLICATION CHARACTERISTICS, SEE ENVELOPE DRAWING 0425-015-0000.
  - 3. PLUG IS SUPPLIED WITH DUST CAP (NOT SHOWN).
  - 2. DIMENSION TOLERANCE: ±.025 [.635].
  - 1. DIMENSIONS ARE IN INCHES [mm].
- NOTES:

| △ 6 SEAL TYPE | CONTACT SIZE | MIN. INSUL. OD [mm] | MAX. INSUL. OD [mm] | WIRE RANGE [mm <sup>2</sup> ] REF ONLY △ 4 |
|---------------|--------------|---------------------|---------------------|--|
| NORMAL        | 16           | .100 [2.540]        | .134 [3.404]        | 14-18 AWG [2.0-.75]                        |
| E             | 16           | .053 [1.346]        | .120 [3.048]        | 14-20 AWG [2.0-.50]                        |

| SIGNATURE & DATE |                   |
|------------------|-------------------|
| DR               | D. MEYER 03/12/99 |
| CHK              | B. Bond 4/15/02   |
| PE               | D. Meyer 4/15/02  |
| APPD             | H. Reed 4-15-02   |
| SCALE            | 1:1               |
| WT               |                   |

PLUG CONNECTOR  
DRC 70 SERIES  
KEY ARRANGEMENT -A-  
  
ENVELOPE

|   |               |
|---|---------------|
| CP  | MATL. CODE    |
| <b>The Deutsch Company</b><br>DEUTSCH I.P.D.<br>3850 INDUSTRIAL AVE.<br>HEMET, CALIF. 92545 |               |
| <b>B DRC16-70SA *</b>   |               |
| DWG SIZE  | CODE SHEET OF |
| 11139   |               |